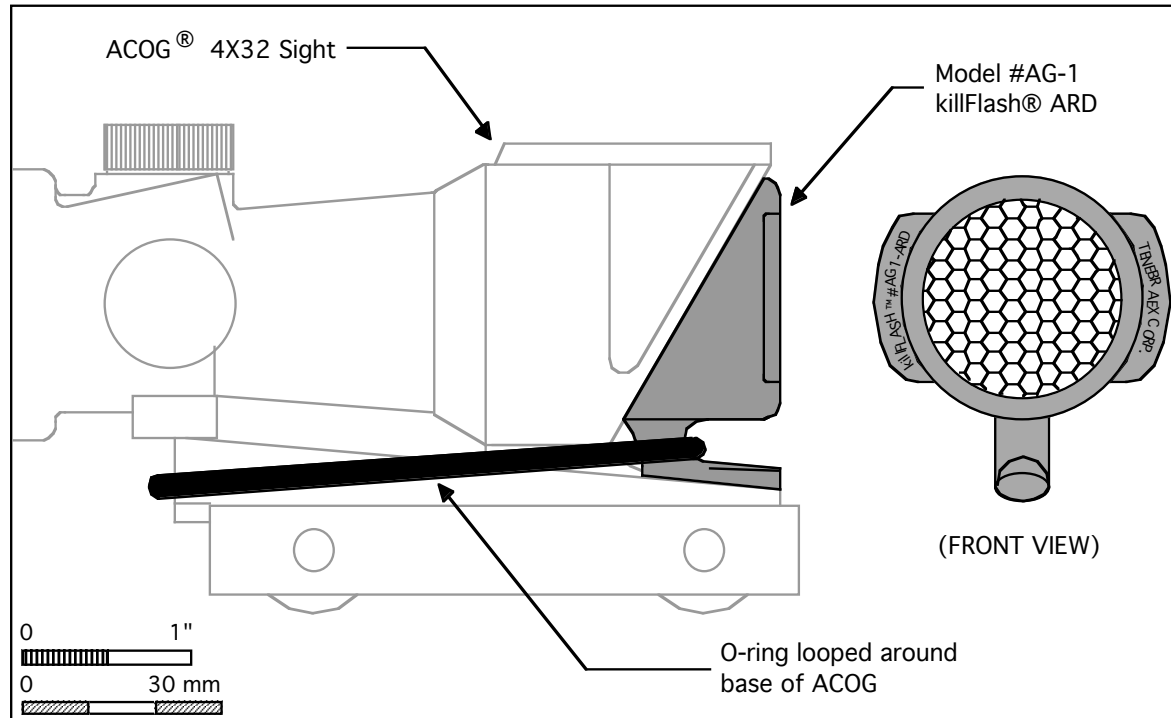


# killFlash® AG1-ARD

for Trijicon ACOG® 4x32

Tenebraex Corporation [www.camouflage.com](http://www.camouflage.com)



## SPECIFICATIONS

### Mechanical

Dimensions o.d 1.43" (37mm)  
length 1" (25mm)

Weight Each .5 oz. (14g)

Housing Material Matte black glass-filled thermoplastic

Filter Material Resin-reinforced composite honeycomb with special matte black coating

Temp. Range +160 to -60 F  
+ 71 to -51 C

### Optical

% Light Loss Approximately 15%

### Maintenance

Rinse with water to clear cells, blow dry

The killFlash® model AG-1 Anti Reflection Device (ARD) is designed to eliminate potentially compromising reflections from the objective lens of the ACOG® 4x32 weapon sight. The patented geometry of the ARD's honeycomb shield maintains a clear, bright view through the sight and does not interfere with target acquisition. The lightweight, low maintenance design adds virtually no weight to the soldier's load. To install, the ARD is simply hooked onto an O-ring that is looped onto the base of the sight. There are no threads to jam with sand or grit, and the tension of the O-ring holds the ARD securely in place, even under recoil. The ACOG's existing cover can be used with the ARD in place.

If they don't see you... they don't shoot you.®

27 Drydock Ave., Boston, MA 02210 USA • e-mail: [sales@camouflage.com](mailto:sales@camouflage.com)