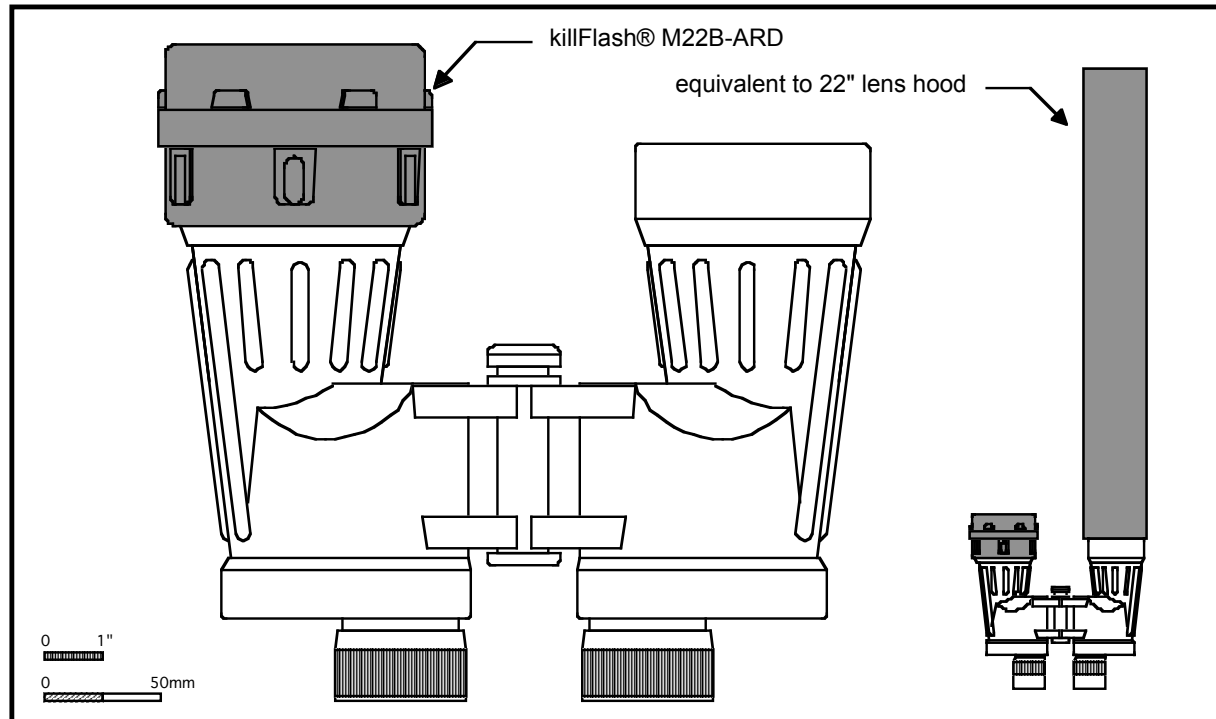


killFlash® M22B-ARD

for U.S. Army's black M-22 (Corion) binoculars

Tenebraex Corporation www.camouflage.com



SPECIFICATIONS

Mechanical

Dimensions o.d 3.5" (90mm)
length 2.46" (62mm)

Weight Pair 5 oz. (142g)

Housing Material black santoprene over
acetal core

Filter Material Resin-reinforced composite
honeycomb with special
matte black coating

Temp. Range +160 to -60 F
+ 71 to -51 C

Optical

% Light Loss Approximately 15%

Maintenance

Rinse with water to clear cells, blow dry

The rugged killFlash® model #M22-B ARD fits the U.S. Army's black M-22 (Corion) binoculars. It eliminates reflections outside the binoculars' field of view and diminishes reflections within the field of view, with no loss in resolution and only slight light loss. With its patented geometry, a 1" thick (25mm) honeycomb of tubes gives the model M22-B killFlash® ARD the glint protection ability as a conventional cylindrical sun hood over 21" (533 mm) long.

If they don't see you... they don't shoot you.®

NSN 6650-01-456-9093

27 Drydock Ave. Boston, MA 02210 USA • e-mail: sales@camouflage.com