

Model LSU & STZ Weapon Sight Polarizers

Tenebraex Corporation www.camouflage.com



Glare Obscures Vision



Tenebraex's Weapon Sight Polarizer Cuts Glare!

The Problem: Glare and reflections from glass surfaces such as windows and windshields can seriously degrade your view. In MOUT operations, surface glare can prevent the identification and targeting of snipers. In hostage situations, glare can make it impossible to differentiate between hostage and hostage taker.

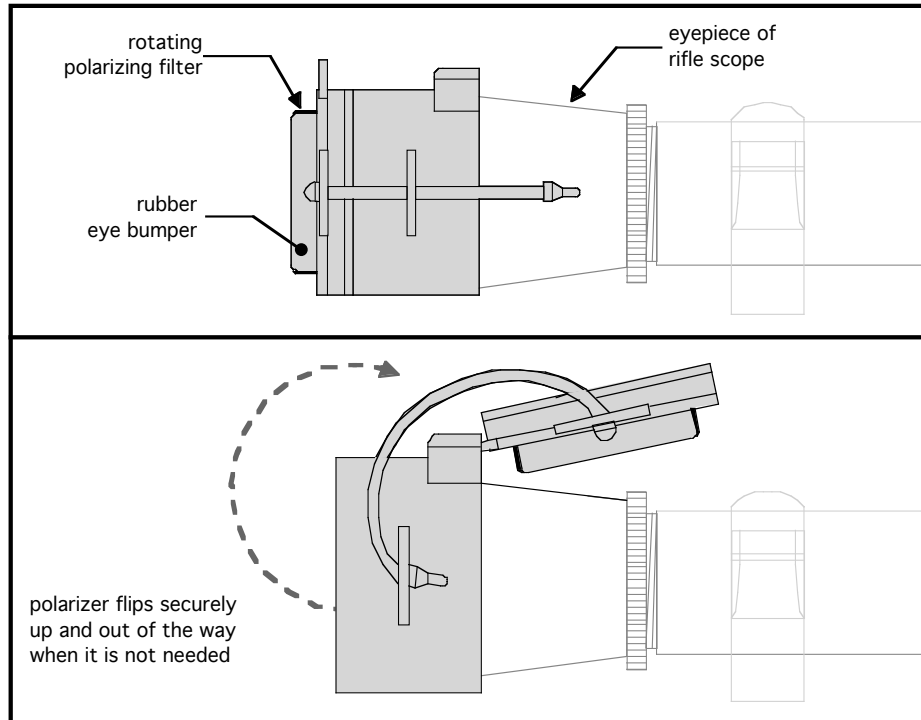
The Solution: A correctly oriented polarizing filter will block glare. This is so because most of the light rays that cause reflected glare are polarized, that is, they vibrate in one plane. A polarizing filter acts like a screen. When rotated so that it is aligned across a polarized light ray's axis of vibration, it blocks that ray, giving you a clearer view through the surface behind.

A filter mounted on the front of a scope can change your point of impact by slightly shifting the image you see. Our patented Weapon Sight Polarizer is a rugged, field-practical unit that mounts a rotating polarizing filter at the rear of the scope, where it will not affect point of impact. The filter easily flips out of the way when it is not needed.

For law enforcement and military sale ONLY

Model LSU & STZ Weapon Sight Polarizers

Tenebraex Corporation www.camouflage.com



SPECIFICATIONS

Mechanical

Dimensions	barrel o.d.	1.9" (48mm)
	overall length	1.8" (46mm)
	length increase	.82" (21mm)

Weight Each	1.3 oz. (37g)
-------------	---------------

Housing Material	santoprene
------------------	------------

Filter Material	glass linear polarizer
-----------------	------------------------

Temp. Range	+160 to -60 F + 71 to -51 C
-------------	--------------------------------

Optical

% Light Loss	Approximately 1 2/3 f. stop
--------------	-----------------------------

Maintenance

blow off grit and then clean filter
with standard lens tissue

The Weapon Sight Polarizer lets you see clearly through reflected glare on glass surfaces such as windows or windshields. It also reduces perceived glare when shooting over water or snow fields. The rugged, rubbery housing slips easily and securely over the eyepiece bell of the rifle scope. If the filter is not needed, simply rotate the filter carrier onto the top of the housing; it will be held there against recoil. The soft eye bumper has two cut-outs that allow easy access to the polarizing filter, which can be rotated with an unobtrusive motion of thumb or index finger. Unlike a plastic polarizer, with normal care the optical-quality glass filter will remain clear and scratch-free. Weapon Sight Polarizer is Military/Law Enforcement Sales Only.

Model LSU fits: Leupold Mk 4 rifles scopes, Leupold Mark 4 12-40x60mm Tactical Spotting Scope, Schmidt & Bender 50mm, Unertl Tactical, Kahles (30mm tube), Springfield Armory (with tape wrap), Zeiss Conquest, Trijicon TR21 and TR20, Nightforce

Model STZ fits: Leupold Tactical zooms, Leupold illuminated reticle scopes, Schmidt & Bender 40mm, Zeiss (non-Conquest) with 39mm Ø eyepieces

27 Drydock Ave., Boston, MA 02210 USA • e-mail: tbxsales@tenebraex.com